

产品特性 Product features

- LINP精密直线轴承与金属滚珠直线轴承尺寸精度保持一致，但具有更高的承载能力且运行噪音极低。滑动膜采用了TEFPLAS®复合材料实现长期免维护，低摩擦系数，适用于高低温±200°C运行；TEFPLAS®材料结合LINP小间隙运行不但对轴不会造成损伤而且能清洁轴表面污垢。
- 自润滑，免维护
- 高精度，运行平稳
- 减振，低噪音
- 高速运行，长寿命
- 适合直线、旋转和摇摆运动
- LINP precision linear bearings have the same dimensional accuracy as metal ball linear bearings, but with higher load carrying capacity and extremely low operating noise. The liners are made of TEFPLAS® compounds developed for maintenance-free and low friction coefficient, LINP linear bearings suitable for ± 200 °C operation temperature; LINP small gap operation with TEFPLAS® materials will not damage to the shaft and can clean the surface dirt.
- Self-lubricating, maintenance-free
- High precision and smooth operation
- Vibration reduction, low noise
- High-speed operation and long life
- Suitable for linear, rotary and swing motion

LINP滑动膜材料 Liner materials

TEFPLAS® B 是LINP精密直线轴承标准滑动膜材料，综合高承载与耐磨特性，适用于硬度HRC35以上硬轴。

TEFPLAS® G 极好的耐磨性能，适用于硬轴、不锈钢轴或铝轴。

TEFPLAS® E 符合FDA食品接触安全材料，适用于不锈钢轴或铝轴。

TEFPLAS® B is a standard liner material for LINP precision linear bearings. It combines high load bearing and wear resistance performance, suitable for hard shaft HRC35 or higher.

TEFPLAS® G has excellent wear resistance, suitable for hard shaft, stainless steel shaft or aluminum shaft.

TEFPLAS® E FDA food contact safety materials, suitable for stainless steel shaft or aluminum shaft.

材料 Material	摩擦系数 Dry friction coefficient	最大静载荷 Max. static load MPa	最大动载荷 Max. dynamic load MPa	极限PV值 Max. PV N/mm ² x m/s	最高干运行速度 (m/s) Max. Speed, Dry running		运行温度* Operation temperature °C
					连续运Continuous	间断运Intermittent	
TEFPLAS® B	0.10-0.25	20	10	0.7	1.5	4.0	±200
TEFPLAS® G	0.10-0.20	16	8	0.6	1.0	3.0	±200
TEFPLAS® E	0.05-0.18	12	6	0.4	1.0	2.0	±200

*极端高温下运行需要考虑加大配合间隙消除轴与轴承高温膨胀引起的卡滞现象，请和CSB销售工程师联系

*For operation under extreme high temperature, it is necessary to consider increasing the fitting clearance to avoid stagnation caused by the high temperature expansion of the shaft and bearing. Please contact CSB sales engineers

耐化学性 Chemical resistance

TEFPLAS®材料可在恶劣环境下使用，即使浸没在液体中也能表现出色的性能。TEFPLAS® B材料中的填充物可能会受到去离子水和其它高强度化学物质腐蚀；TEFPLAS® G与TEFPLAS® B材料几乎对所有化学物质呈现惰性。

CSB-LIN® P 精密直线轴承标准壳体材料阳极氧化铝，较好的化学抗性适合大部分工业应用，同时可选配316不锈钢壳体适用于具有强腐蚀化学液体环境。

TEFPLAS® materials stand up to harsh environments and provide excellent performance in a submerged condition. TEFPLAS® B : the fillers in the material can be attacked by deionized water and other harsh chemicals.

TEFPLAS® G and TEFPLAS® E : almost universal chemical inertness.

The standard shell material is anodized aluminum of CSB-LIN® P precision linear bearings: good chemical resistance in most industrial applications, 316 stainless steel shell are available for corrosion resistance in harsh environments

LINP精密直线轴承补偿间隙C版本 Precision Linear Bearing, C-type with Compensated Clearance

标准精度版本直线轴承适用于大部分应用场合，以下应用场合我们推荐采用补偿间隙C版本直线轴承：

- 1、运行速度达到0.5m/s，由于摩擦热导致轴承膨胀加大导致轴与轴承内径配合间隙缩小
- 2、使用环境温度达到100°C，环境温度造成轴承膨胀加大导致轴与轴承内径配合间隙缩小
- 3、应用于平行轴，由于平行轴安装存在平行度误差，推荐一侧采用标准精度直线轴承，而另一侧采用补偿间隙C版本直线轴承消除平行度误差

The standard precision linear bearing is suitable for most applications. We recommend using the C-type with compensated clearance under the following conditions:

1. When the operating speed reaches 0.5 m/s, and the reduced clearance between the shaft and the bearing inner diameter is caused by bearing expansion due to frictional heat.
2. When the ambient temperature reaches 100°C, and the reduced clearance between the shaft and the bearing inner diameter is caused by bearing expansion due to the environmental temperature.
3. When applied to parallel shafts, where parallelism errors exist in the installation. It is recommended to use a standard precision linear bearing on one side and a C-type with compensated clearance on the other side to eliminate the parallelism error.

寿命影响因素 Factors affecting wear rate and life

轴的表面粗糙度、硬度以及尺寸精度都会影响CSB-LIN® P 精密直线轴承的寿命
优选配合轴：

- 轴直径公差等级h6-h7，适用于所有TEFPLAS® 材料
- 表面粗糙度Ra0.2-0.4，适用于所有TEFPLAS® 材料
- 表面硬度HRC50，根据不同TEFPLAS® 材料可配合软轴

Affecting the life of CSB-LIN® P precision linear bearings: surface roughness, hardness and dimensional accuracy of the shaft

Recommend shafts for the best performance:

- Shaft diameter tolerance h6-h7, suitable for all TEFPLAS® materials
- Surface roughness Ra0.2-0.4, suitable for all TEFPLAS® materials
- Surface hardness HRC50, according to different TEFPLAS® materials and the soft shafts are available

偏心力 Eccentric forces

- 最大比例为2:1
- 1x = 同轴轴承距离
- 2x = 从轴到负载或驱动力的距离
- Maximum 2:1 ratio
- 1x = bearing separation on same shaft
- 2x = distance from shaft to load or force

小心：超过2:1比例时会发生爬行甚至卡死的现象！

CAUTION: uneven motion or even system blockage will occur if the 2:1 ratio is exceeded !

这个原则与负载无关！这不是由于边缘加载。它也不依赖于使用的驱动力！驱动力与轴承的距离越远，所需驱动力越大，磨损也越大。

可能还有其他因素会增加制动效果，但摩擦系数是主要原因。

注意：2:1法则则是基于理论静摩擦系数0.25，然而，额外的润滑有助于降低摩擦并延长2:1的比例。

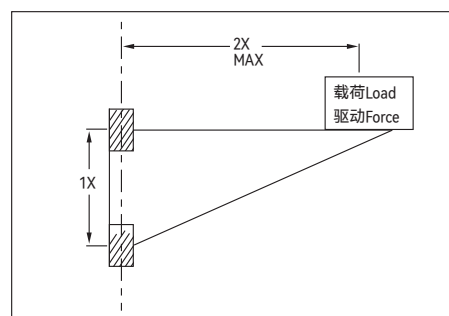
如果您有任何设计或安装方面的疑惑，请与我们的工程师联系。

This principle is NOT load dependent! It is NOT due to edge loading. It is also NOT dependent on the driving force used! The greater the distance between the drive and guide bearings, the higher the degree of wear and required drive force.

There may be other factors that add to the braking effect, but the coefficient of friction is the main cause.

NOTE: The Rule(2:1) is based on the static friction value of 0.25 theoretically, However, Additional lubrication can help to drop friction and extend the 2:1 ratio.

If you have any questions on design and/or assembly, please contact our application engineers.

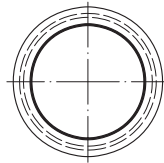
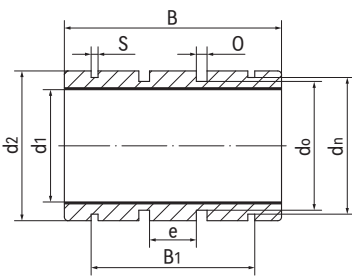


LINP-11R 封闭式精密直线轴承 Precision linear bearings, closed



- 封闭式长设计
 - 高精度与滚珠轴承相同
 - 标准滑动膜材料TEFPLAS® B
可选高耐磨材料TEFPLAS® G和符合FDA标准材料TEFPLAS® E
 - 阳极氧化铝合金适配器
 - 卡簧轴向固定
 - 免维护、低噪音
 - 使用温度±200°C
- Closed and long design
 - High precision similar to preloaded ball bearing
 - Standard liner material TEFPLAS® B
Available materials: TEFPLAS® G and E
 - Anodized aluminum adapter
 - Axial secured by circlips
 - Maintenance-free and low noise
 - Operation temperature ±200°C

标准规格 Standard specifications



产品编码 Part No.:

LINPB-11R-08-C

- 补偿间隙 Compensated Clearance
- 内径 Inner diameter
- 封闭式保持器 Closed housing
- 长设计 Long design
- 滑动膜材料 Liner material: B/G/E

座孔 Housing: H7 轴 Shaft: h6-h7

产品编码 Part No.	d ₁ [mm]	公差 Tolerance [mm]	d ₂ h6 [mm]	B h10 [mm]	B ₁ H10 [mm]	d _n h10 [mm]	s H10 [mm]	O H10 [mm]	do H10 [mm]	e [mm]
LINPB-11R-08	8	+0.013/+0.035	16	25	16.2	15.2	1.1	1.86	13.20	5
LINPB-11R-10	10	+0.013/+0.035	19	29	21.6	17.5	1.3	1.86	15.40	5
LINPB-11R-12	12	+0.016/+0.043	22	32	22.6	20.5	1.3	1.86	18.40	6
LINPB-11R-16	16	+0.016/+0.043	26	36	24.6	24.2	1.3	2.86	20.40	8
LINPB-11R-20	20	+0.020/+0.053	32	45	31.2	29.6	1.6	2.86	26.40	10
LINPB-11R-25	25	+0.020/+0.053	40	58	43.7	36.5	1.85	2.86	34.40	12.5
LINPB-11R-30	30	+0.020/+0.053	47	68	51.7	43.5	1.85	2.86	41.40	15
LINPB-11R-40	40	+0.020/+0.064	62	80	60.3	57.8	2.15	2.86	56.40	20
LINPB-11R-50	50	+0.020/+0.064	75	100	77.3	70.5	2.65	2.86	69.40	25

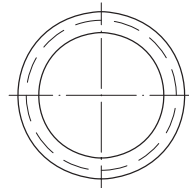
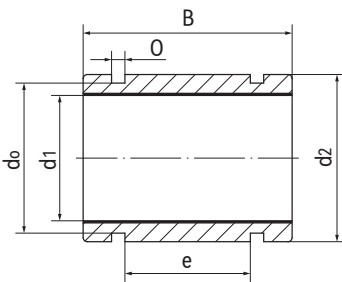
产品编码 Part No.	轴径 Shaft [mm]	座孔 Housing [mm] H7	F max. [N] 最大动载荷 Dynamic Load			F max. [N] 最大静载荷 Static Load			重量 Weight [g]
			B	G	E	B	G	E	
LINPB-11R-08	8	16	2000	1600	1200	4000	3200	2400	8
LINPB-11R-10	10	19	2900	2320	1740	5800	4640	3480	15
LINPB-11R-12	12	22	3840	3072	2304	7680	6144	4608	18
LINPB-11R-16	16	26	5760	4608	3456	11520	9216	6912	39
LINPB-11R-20	20	32	9000	7200	5400	18000	14400	10800	52
LINPB-11R-25	25	40	14500	11600	8700	29000	23200	17400	119
LINPB-11R-30	30	47	20400	16320	12240	40800	32640	24480	149
LINPB-11R-40	40	62	32000	25600	19200	64000	51200	38400	333
LINPB-11R-50	50	75	50000	40000	30000	100000	80000	60000	823

LINP-12R 短型直线轴承 Linear bearings, closed, short design



- 封闭式短型设计
 - 高精度与滚珠轴承相同
 - 标准滑动膜材料TEFPLAS® B
可选高耐磨材料TEFPLAS® G和符合FDA标准材料TEFPLAS® E
 - 阳极氧化铝合金适配器
 - 过盈配合压装
 - 免维护、低噪音
 - 使用温度±200°C
- Closed and short design
 - High precision similar to preloaded ball bearing
 - Standard liner material TEFPLAS® B
Available materials: TEFPLAS® G and E
 - Anodized aluminum adapter
 - Assembly by press fitting
 - Maintenance-free and low noise
 - Operation temperature ±200°C

标准规格 Standard specifications



产品编码 Part No.:

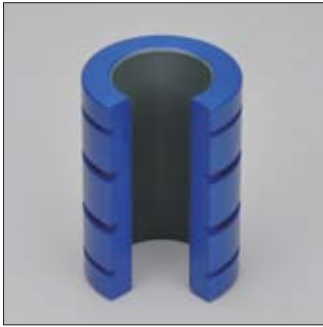
LINPB-12R-08-C

- 补偿间隙 Compensated Clearance
- 内径 Inner diameter
- 封闭式保持器 Closed housing
- 短设计 Short design
- 滑动膜材料 Liner material: B/G/E
- 座孔 Housing: H7 轴 Shaft: h6-h7

产品编码 Part No.	d ₁ [mm]	公差 Tolerance [mm]	d ₂ h7 [mm]	B h10 [mm]	O H10 [mm]	d ₀ H10 [mm]	e [mm]
LINPB-12R-08	8	+0.013/+0.035	15	24	2	12.2	10
LINPB-12R-10	10	+0.013/+0.035	17	26	2	14.4	12
LINPB-12R-12	12	+0.016/+0.043	19	28	2	16.6	14
LINPB-12R-16	16	+0.016/+0.043	24	30	2	21.3	14
LINPB-12R-20	20	+0.020/+0.053	28	30	2	25.5	14
LINPB-12R-25	25	+0.020/+0.053	35	40	3.2	30.9	22
LINPB-12R-30	30	+0.020/+0.053	40	50	3.2	35.9	30
LINPB-12R-40	40	+0.020/+0.064	52	60	4.1	46.2	40
LINPB-12R-50	50	+0.020/+0.064	62	70	4.1	56.3	50

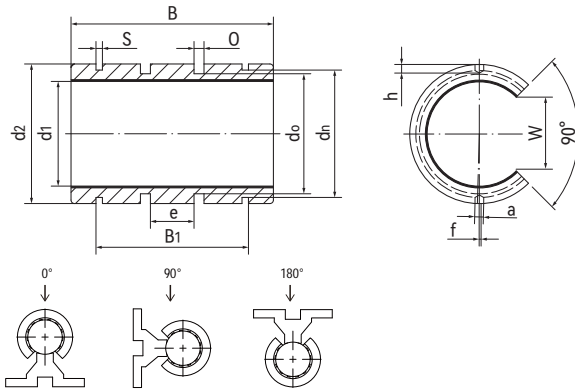
产品编码 Part No.	轴径 Shaft [mm]	座孔 Housing [mm] H7	F max. [N] 最大动载荷 Dynamic Load			F max. [N] 最大静载荷 Static Load			重量 Weight [g]
			B	G	E	B	G	E	
LINPB-12R-08	8	15	1920	1536	1152	3840	3072	2304	7
LINPB-12R-10	10	17	2600	2080	1560	5200	4160	3120	9
LINPB-12R-12	12	19	3360	2688	2016	6720	5376	4032	11
LINPB-12R-16	16	24	4800	3840	2880	9600	7680	5760	18
LINPB-12R-20	20	28	6000	4800	3600	12000	9600	7200	23
LINPB-12R-25	25	35	10000	8000	6000	20000	16000	12000	44
LINPB-12R-30	30	40	15000	12000	9000	30000	24000	18000	65
LINPB-12R-40	40	52	24000	19200	14400	48000	38400	28800	123
LINPB-12R-50	50	62	35000	28000	21000	70000	56000	42000	177

LINP-11RK 开口式直线轴承 Linear bearings, open



- 开口设计，配合支撑轴
 - 高精度与滚珠轴承相同
 - 标准滑动膜材料TEFPLAS® B
可选高耐磨材料TEFPLAS® G和符合FDA标准材料TEFPLAS® E
 - 阳极氧化铝合金适配器
 - 免维护、低噪音
 - 使用温度±200°C
- Open design for supported shafts
 - High precision similar to preloaded ball bearing
 - Standard liner material TEFPLAS® B
Available materials: TEFPLAS® G and E
 - Anodized aluminum adapter
 - Maintenance-free and low noise
 - Operation temperature ±200°C

标准规格 Standard specifications



产品编码 Part No.:

LINPB-11RK-08-C

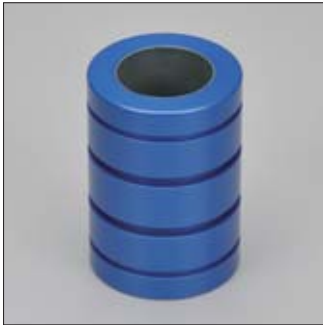
- 补偿间隙 Compensated Clearance
- 内径 Inner diameter
- 开口式保持器 Open, aluminum adapter
- 长设计 Long design
- 滑动膜材料 Liner material: B/G/E

座孔 Housing: H7 轴 Shaft: h6-h7

产品编码 Part No.	d ₁ [mm]	公差 Tolerance [mm]	d ₂ h6 [mm]	B h10 [mm]	B ₁ H10 [mm]	d _n h10 [mm]	s H10 [mm]	O H10 [mm]	do H10 [mm]	e [mm]	W-1 [mm]	a+0.1 [mm]	h [mm]	f±0.2 [mm]
LINPB-11RK-08	8	+0.013/+0.035	16	25	16.0	15.2	1.10	1.86	13.20	5	5.50	/	/	/
LINPB-11RK-10	10	+0.013/+0.035	19	29	21.6	17.5	1.30	1.86	15.40	5	7.30	/	/	/
LINPB-11RK-12	12	+0.016/+0.043	22	32	22.6	20.5	1.30	1.86	18.40	6	9.00	3.0	1.2	1.33(7°)
LINPB-11RK-16	16	+0.016/+0.043	26	36	24.6	24.2	1.30	2.86	20.40	8	11.60	2.2	1.2	/
LINPB-11RK-20	20	+0.020/+0.053	32	45	31.2	29.6	1.60	2.86	26.40	10	12.00	2.2	1.2	/
LINPB-11RK-25	25	+0.020/+0.053	40	58	43.7	36.5	1.85	2.86	34.40	12.5	14.50	3.0	1.5	-1.50(-4.3°)
LINPB-11RK-30	30	+0.020/+0.053	47	68	51.7	43.5	1.85	2.86	41.40	15	16.60	3.0	2.0	2.00(4.9°)
LINPB-11RK-40	40	+0.020/+0.064	62	80	60.3	57.8	2.15	2.86	56.40	20	21.00	3.0	2.0	1.50(2.8°)
LINPB-11RK-50	50	+0.020/+0.064	75	100	77.3	70.5	2.65	2.86	69.40	25	25.50	3.0	2.0	2.50(3.8°)

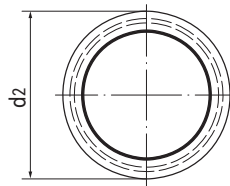
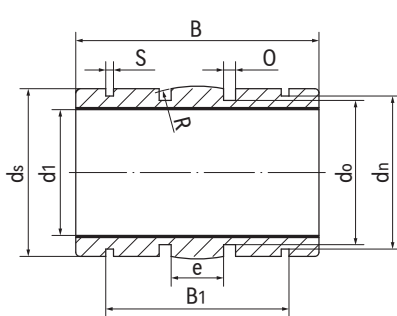
产品编码 Part No.	轴径 Shaft [mm]	座孔 Housing [mm] H7	F max. [N] 材料 Material: B 最大动载荷 Dynamic Load			F max. [N] 材料 Material: B 最大静载荷 Static Load			重量 Weight [g]
			0°	90°	180°	0°	90°	180°	
LINPB-11RK-08	8	16	2000	1725	625	4000	3450	1250	8
LINPB-11RK-10	10	19	2900	2442	783	5800	4884	1566	11
LINPB-11RK-12	12	22	3840	3190	960	7680	6381	1920	15
LINPB-11RK-16	16	26	5760	4864	1584	11520	9727	3168	21
LINPB-11RK-20	20	32	9000	8100	3600	18000	16200	7200	42
LINPB-11RK-25	25	40	14500	13154	6090	29000	26309	12180	70
LINPB-11RK-30	30	47	20400	18700	9112	40800	37400	18224	132
LINPB-11RK-40	40	62	32000	29600	15200	64000	59200	30400	278
LINPB-11RK-50	50	75	50000	46650	25000	100000	93300	50000	479

LINP-11RS 调心直线轴承 Floating linear bearings, closed



- 封闭式自动调心设计
- 高精度与滚珠轴承相同
- 标准滑动膜材料TEFPLAS® B
可选高耐磨材料TEFPLAS® G和符合FDA标准材料TEFPLAS® E
- 阳极氧化铝合金适配器
- 卡簧轴向固定
- 免维护、低噪音
- 使用温度±200°C
- Closed and self-aligning design
- High precision similar to preloaded ball bearing
- Standard liner material TEFPLAS® B
Available materials: TEFPLAS® G and E
- Anodized aluminum adapter
- Axial secured by circlips
- Maintenance-free and low noise
- Operation temperature ±200°C

标准规格 Standard specifications



产品编码 Part No.:

LINPB-11RS-10-C

- 补偿间隙 Compensated Clearance
- 内径 Inner diameter
- 自调整保持器 Automatic alignment aluminum adapter
- 长设计 Long design
- 滑动膜材料 Liner material: B/G/E

座孔 Housing: H7 轴 Shaft: h6-h7

产品编码 Part No.	d _i [mm]	公差 Tolerance [mm]	d ₂ h6 [mm]	B h10 [mm]	B ₁ H10 [mm]	s H10 [mm]	d _n h10 [mm]	d _s h10 [mm]	d ₀ h10 [mm]	o _{-0.1} [mm]	e [mm]	R [mm]
LINPB-11RS-08	8	+0.013/+0.035	15.8	25	16.4	1.1	15.0	15.5	13.20	1.86	5.0	20
LINPB-11RS-10	10	+0.013/+0.035	18.8	29	21.8	1.3	17.5	18.5	15.40	1.86	5.0	13
LINPB-11RS-12	12	+0.016/+0.043	21.8	32	22.8	1.3	20.5	21.5	18.40	1.86	6.0	18
LINPB-11RS-16	16	+0.016/+0.043	25.8	36	24.9	1.3	24.2	25.5	20.40	2.86	8.0	32
LINPB-11RS-20	20	+0.020/+0.053	31.8	45	31.5	1.6	29.6	31.5	26.40	2.86	10.0	50
LINPB-11RS-25	25	+0.020/+0.053	39.8	58	44.1	1.85	36.5	39.0	34.40	2.86	12.5	39
LINPB-11RS-30	30	+0.020/+0.053	46.7	68	52.1	1.85	43.5	46.0	41.40	2.86	15.0	57
LINPB-11RS-40	40	+0.020/+0.064	61.7	80	60.9	2.15	57.8	61.0	56.40	2.86	20.0	100
LINPB-11RS-50	50	+0.020/+0.064	74.7	100	78.0	2.65	70.5	74.0	69.40	2.86	25.0	157

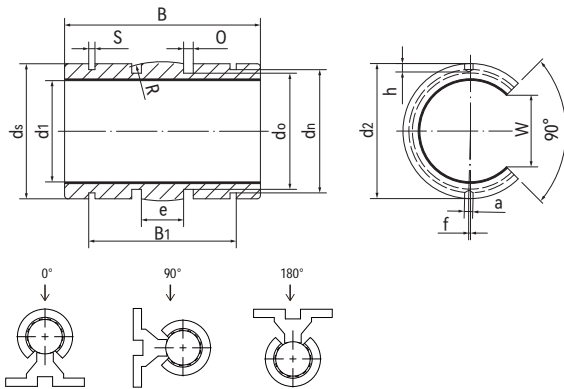
产品编码 Part No.	轴径 Shaft [mm]	座孔 Housing [mm] H7	F max. [N] 最大动载荷 Dynamic Load			F max. [N] 最大静载荷 Static Load			重量 Weight [g]
			B	G	E	B	G	E	
LINPB-11RS-08	8	16	2000	1600	1200	4000	3200	2400	8
LINPB-11RS-10	10	19	2900	2320	1740	5800	4640	3480	15
LINPB-11RS-12	12	22	3840	3072	2304	7680	6144	4608	18
LINPB-11RS-16	16	26	5760	4608	3456	11520	9216	6912	39
LINPB-11RS-20	20	32	9000	7200	5400	18000	14400	10800	52
LINPB-11RS-25	25	40	14500	11600	8700	29000	23200	17400	119
LINPB-11RS-30	30	47	20400	16320	12240	40800	32640	24480	149
LINPB-11RS-40	40	62	32000	25600	19200	64000	51200	38400	333
LINPB-11RS-50	50	75	50000	40000	30000	100000	80000	60000	823

LINP-11RSK 调心直线轴承 Floating linear bearings, open



- 开口式自动调心设计
- 高精度与滚珠轴承相同
- 标准滑动膜材料TEFPLAS® B
可选高耐磨材料TEFPLAS® G和符合FDA标准材料TEFPLAS® E
- 阳极氧化铝合金适配器
- 免维护、低噪音
- 使用温度±200°C
- Open and self-aligning design
- High precision similar to preloaded ball bearing
- Standard liner material TEFPLAS® B
Available materials: TEFPLAS® G and E
- Anodized aluminum adapter
- Maintenance-free and low noise
- Operation temperature ±200°C

标准规格 Standard specifications



产品编码 Part No.:

LINPB-11RSK-10-C

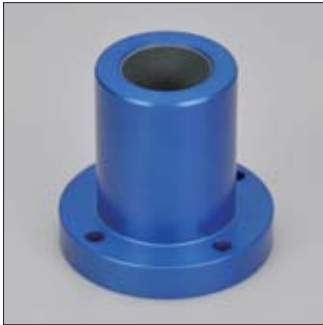
- 补偿间隙 Compensated Clearance
- 内径 Inner diameter
- 开口式自调整保持器
Open, automatic alignment aluminum adapter
- 长设计 Long design
- 滑动膜材料 Liner material: B/G/E

座孔 Housing: H7 轴 Shaft: h6-h7

产品编码 Part No.	d ₁ [mm]	公差 Tolerance [mm]	d ₂ h7 [mm]	B h10 [mm]	B ₁ H10 [mm]	s H10 [mm]	d ₀ h10 [mm]	d ₅ h10 [mm]	d ₆ h10 [mm]	o+0.1 [mm]	e [mm]	R [mm]	W-1 [mm]	a+0.1 [mm]	h [mm]	f±0.2 [mm]
LINPB-11RSK-08	8	+0.013/+0.035	15.8	25	16.4	1.1	15.0	15.5	13.20	1.86	5.50	20	5.50	/	/	/
LINPB-11RSK-10	10	+0.013/+0.035	18.8	29	21.8	1.3	17.5	18.5	15.40	1.86	7.30	13	7.30	/	/	/
LINPB-11RSK-12	12	+0.016/+0.043	21.8	32	22.8	1.3	20.5	21.5	18.40	1.86	9.00	18	9.00	3.0	1.2	1.33(7°)
LINPB-11RSK-16	16	+0.016/+0.043	25.8	36	24.9	1.3	24.2	25.5	20.40	2.86	11.60	32	11.60	2.2	1.2	/
LINPB-11RSK-20	20	+0.020/+0.053	31.8	45	31.5	1.6	29.6	31.5	26.40	2.86	12.00	50	12.00	2.2	1.2	/
LINPB-11RSK-25	25	+0.020/+0.053	39.8	58	44.1	1.85	36.5	39.0	34.40	2.86	14.50	39	14.50	3.0	1.5	-1.50(-4.3°)
LINPB-11RSK-30	30	+0.020/+0.053	46.7	68	52.1	1.85	43.5	46.0	41.40	2.86	16.60	57	16.60	3.0	2.0	2.00(4.9°)
LINPB-11RSK-40	40	+0.020/+0.064	61.7	80	60.9	2.15	57.8	61.0	56.40	2.86	21.00	100	21.00	3.0	2.0	1.50(2.8°)
LINPB-11RSK-50	50	+0.020/+0.064	74.7	100	78.0	2.65	70.5	74.0	69.40	2.86	25.50	157	25.50	3.0	2.0	2.50(3.8°)

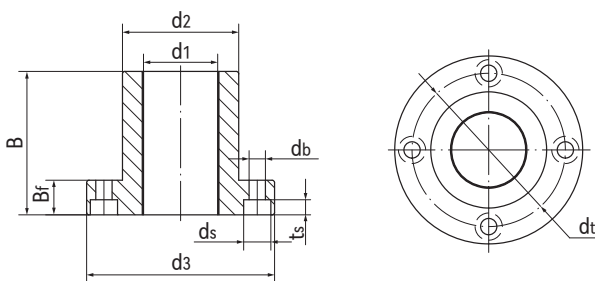
产品编码 Part No.	轴径 Shaft [mm]	座孔 Housing [mm] H7	F max. [N] 材料 Material: B 最大动载荷 Dynamic Load			F max. [N] 材料 Material: B 最大静载荷 Static Load			重量 Weight [g]
			0°	90°	180°	0°	90°	180°	
LINPB-11RSK-08	8	16	2000	1725	625	4000	3450	1250	8
LINPB-11RSK-10	10	19	2900	2442	783	5800	4884	1566	11
LINPB-11RSK-12	12	22	3840	3190	960	7680	6381	1920	15
LINPB-11RSK-16	16	26	5760	4864	1584	11520	9727	3168	21
LINPB-11RSK-20	20	32	9000	8100	3600	18000	16200	7200	42
LINPB-11RSK-25	25	40	14500	13154	6090	29000	26309	12180	70
LINPB-11RSK-30	30	47	20400	18700	9112	40800	37400	18224	132
LINPB-11RSK-40	40	62	32000	29600	15200	64000	59200	30400	278
LINPB-11RSK-50	50	75	50000	46650	25000	100000	93300	50000	479

LINP-11RF 圆法兰直线轴承 Round flange linear bearings



- 封闭式圆法兰设计
- 高精度与滚珠轴承相同
- 标准滑动膜材料TEFPLAS® B
可选高耐磨材料TEFPLAS® G和符合FDA标准材料TEFPLAS® E
- 阳极氧化铝合金适配器
- 螺栓固定
- 免维护、低噪音
- 使用温度±200°C
- Closed design with round flange
- High precision similar to preloaded ball bearing
- Standard liner material TEFPLAS® B
Available materials: TEFPLAS® G and E
- Anodized aluminum adapter
- Secured by bolts
- Maintenance-free and low noise
- Operation temperature ±200°C

标准规格 Standard specifications



产品编码 Part No.:

LINPB-11RF-10-C

补偿间隙 Compensated Clearance

内径 Inner diameter

圆法兰保持器
Round flange aluminum adapter

长设计 Long design

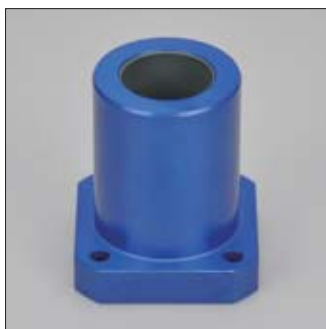
滑动膜材料 Liner material: B/G/E

座孔 Housing: H7 轴 Shaft: h6-h7

产品编码 Part No.	d ₁ [mm]	公差 Tolerance [mm]	d ₂ h7 [mm]	d _{t±0.15} [mm]	d ₃ [mm]	B [mm]	B _f [mm]	t _s [mm]	d _b [mm]	d _s [mm]
LINPB-11RF-08	8	+0.013/+0.035	16	24	32	25	8	3.1	3.5	6.0
LINPB-11RF-10	10	+0.013/+0.035	19	29	39	29	9	4.1	4.5	7.5
LINPB-11RF-12	12	+0.016/+0.043	22	32	42	32	9	4.1	4.5	7.5
LINPB-11RF-16	16	+0.016/+0.043	26	36	46	36	9	4.1	4.5	7.5
LINPB-11RF-20	20	+0.020/+0.053	32	43	54	45	11	5.1	5.5	9.0
LINPB-11RF-25	25	+0.020/+0.053	40	51	62	58	11	5.1	5.5	9.0
LINPB-11RF-30	30	+0.020/+0.053	47	62	76	68	14	6.1	6.6	11.0
LINPB-11RF-40	40	+0.020/+0.064	62	80	98	80	18	8.1	9.0	14.0
LINPB-11RF-50	50	+0.020/+0.064	75	94	112	100	18	8.1	9.0	14.0

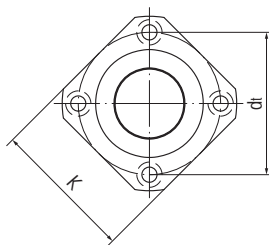
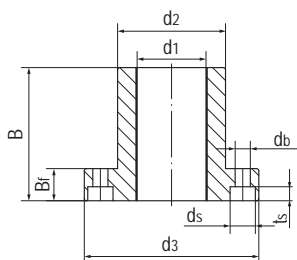
产品编码 Part No.	轴径 Shaft [mm]	座孔 Housing [mm] H7	F max. [N] 最大动载荷 Dynamic Load			F max. [N] 最大静载荷 Static Load			重量 Weight [g]
			B	G	E	B	G	E	
LINPB-11RF-08	8	16	2000	1600	1200	4000	3200	2400	20
LINPB-11RF-10	10	19	2900	2320	1740	5800	4640	3480	34
LINPB-11RF-12	12	22	3840	3072	2304	7680	6144	4608	43
LINPB-11RF-16	16	26	5760	4608	3456	11520	9216	6912	54
LINPB-11RF-20	20	32	9000	7200	5400	18000	14400	10800	91
LINPB-11RF-25	25	40	14500	11600	8700	29000	23200	17400	154
LINPB-11RF-30	30	47	20400	16320	12240	40800	32640	24480	266
LINPB-11RF-40	40	62	32000	25600	19200	64000	51200	38400	555
LINPB-11RF-50	50	75	50000	40000	30000	100000	80000	60000	852

LINP-11RT 方法兰塑料直线轴承 Angular flange linear bearings



- 封闭式方法兰设计
- 高精度与滚珠轴承相同
- 标准滑动膜材料TEFPLAS® B
可选高耐磨材料TEFPLAS® G和符合FDA标准材料TEFPLAS® E
- 阳极氧化铝合金适配器
- 螺栓固定
- 免维护、低噪音
- 使用温度±200°C
- Closed design with square flange
- High precision similar to preloaded ball bearing
- Standard liner material TEFPLAS® B
Available materials: TEFPLAS® G and E
- Anodized aluminum adapter
- Secured by bolts
- Maintenance-free and low noise
- Operation temperature ±200°C

标准规格 Standard specifications



产品编码 Part No.:

LINPB-11RT-10-C

- 补偿间隙 Compensated Clearance
- 内径 Inner diameter
- 方法兰保持器
Angular flange aluminum adapter
- 长设计 Long design
- 滑动膜材料 Liner material: B/G/E

座孔 Housing: H7 轴 Shaft: h6-h7

产品编码 Part No.	d ₁ [mm]	公差 Tolerance [mm]	d ₂ h7 [mm]	d _{t±0.15} [mm]	d ₃ [mm]	B [mm]	B _f [mm]	t _s [mm]	d _b [mm]	d _s [mm]	K _{±0.15} [mm]
LINPB-11RT-08	8	+0.013/+0.035	16	24	32	25	8	3.1	3.5	6.0	25
LINPB-11RT-10	10	+0.013/+0.035	19	29	39	29	9	4.1	4.5	7.5	30
LINPB-11RT-12	12	+0.016/+0.043	22	32	42	32	9	4.1	4.5	7.5	32
LINPB-11RT-16	16	+0.016/+0.043	26	36	46	36	9	4.1	4.5	7.5	35
LINPB-11RT-20	20	+0.020/+0.053	32	43	54	45	11	5.1	5.5	9.0	42
LINPB-11RT-25	25	+0.020/+0.053	40	51	62	58	11	5.1	5.5	9.0	50
LINPB-11RT-30	30	+0.020/+0.053	47	62	76	68	14	6.1	6.6	11.0	60
LINPB-11RT-40	40	+0.020/+0.064	62	80	98	80	18	8.1	9.0	14.0	75
LINPB-11RT-50	50	+0.020/+0.064	75	94	112	100	18	8.1	9.0	14.0	88

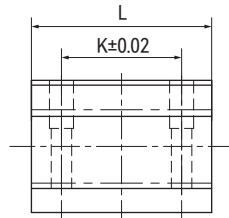
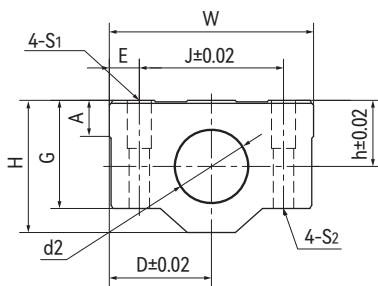
产品编码 Part No.	轴径 Shaft [mm]	座孔 Housing [mm] H7	F max. [N] 最大动载荷 Dynamic Load			F max. [N] 最大静载荷 Static Load			重量 Weight [g]
			B	G	E	B	G	E	
LINPB-11RT-08	8	16	2000	1600	1200	4000	3200	2400	20
LINPB-11RT-10	10	19	2900	2320	1740	5800	4640	3480	34
LINPB-11RT-12	12	22	3840	3072	2304	7680	6144	4608	43
LINPB-11RT-16	16	26	5760	4608	3456	11520	9216	6912	54
LINPB-11RT-20	20	32	9000	7200	5400	18000	14400	10800	91
LINPB-11RT-25	25	40	14500	11600	8700	29000	23200	17400	154
LINPB-11RT-30	30	47	20400	16320	12240	40800	32640	24480	266
LINPB-11RT-40	40	62	32000	25600	19200	64000	51200	38400	555
LINPB-11RT-50	50	75	50000	40000	30000	100000	80000	60000	852

LINP-11G 标准设计直线轴承座 Pillow blocks, standard design



- 封闭式带轴承座设计
- 高精度与滚珠轴承相同
- 标准滑动膜材料TEFPLAS® B
可选高耐磨材料TEFPLAS® G和符合FDA标准材料TEFPLAS® E
- 标准铝合金座孔
- 可提供自调心版本
- 免维护、低噪音
- 使用温度±200°C
- Closed design with housing
- High precision similar to preloaded ball bearing
- Standard liner material TEFPLAS® B
Available materials: TEFPLAS® G and E
- Standard aluminum housing
- Available self-aligning version
- Maintenance-free and low noise
- Operation temperature ±200°C

标准规格 Standard specifications



产品编码 Part No.:

LINPB-11G-16-C-SA

- 自调心版本 Self-aligning version
- 补偿间隙 Compensated Clearance
- 轴承内径 Inner diameter
- 标准设计直线轴承座
Pillow block, standard design
- 长设计 Long design
- 滑动膜材料 Liner material: B/G/E

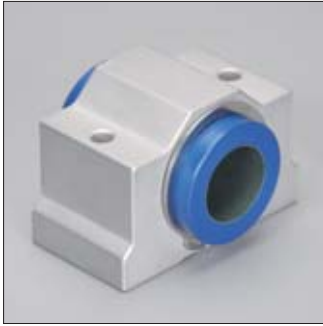
轴 Shaft: h6-h7

产品编码 Part No.	内装轴承 Bearing [mm]	轴径 Shaft [mm]	尺寸 Size [mm]											
			h	D	W	H	G	A	J	E	S ₁	S ₂	K	L
LINPB-11G-12	LINPB-11R-12	12	15	22	44	30	24	8	33	5.5	M5*12	Φ4.3	26	39
LINPB-11G-16	LINPB-11R-16	16	19	25	50	38.5	32.5	9	36	7	M5*12	Φ4.3	34	44
LINPB-11G-20	LINPB-11R-20	20	21	27	54	41	35	11	40	7	M6*12	Φ5.2	40	53
LINPB-11G-25	LINPB-11R-25	25	26	38	76	51.5	41	12	54	11	M8*12	Φ7	50	67
LINPB-11G-30	LINPB-11R-30	30	30	39	78	59.5	49	15	58	10	M8*12	Φ7	58	76
LINPB-11G-40	LINPB-11R-40	40	40	51	102	78	62	20	80	11	M10*25	Φ8.7	60	90
LINPB-11G-50	LINPB-11R-50	50	52	61	122	102	80	24	100	11	M10*25	Φ8.7	80	110

产品编码 Part No.	内径 I.D [mm]	公差 Tolerance [mm]	F max. [N] 最大动载荷 Dynamic Load			F max. [N] 最大静载荷 Static Load			重量 Weight [g]
			B	G	E	B	G	E	
LINPB-11G-12	12	+0.016/+0.043	3840	3072	2304	7680	6144	4608	79
LINPB-11G-16	16	+0.016/+0.043	5760	4608	3456	11520	9216	6912	125
LINPB-11G-20	20	+0.020/+0.053	9000	7200	5400	18000	14400	10800	159
LINPB-11G-25	25	+0.020/+0.053	14500	11600	8700	29000	23200	17400	343
LINPB-11G-30	30	+0.020/+0.053	20400	16320	12240	40800	32640	24480	450
LINPB-11G-40	40	+0.020/+0.064	32000	25600	19200	64000	51200	38400	1021
LINPB-11G-50	50	+0.020/+0.064	50000	40000	30000	100000	80000	60000	1871

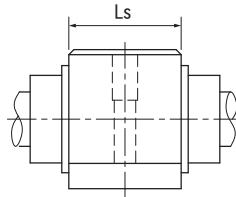
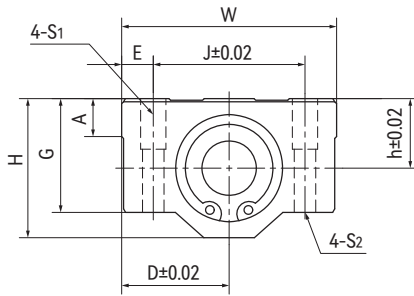
*-SA 自调心版本安装轴承 Self-aligning version with LINPB-11RS

LINP-11GN 窄设计直线轴承座 Pillow blocks, short design



- 封闭式窄轴承座设计
- 高精度与滚珠轴承相同
- 标准滑动膜材料TEFPLAS[®] B
可选高耐磨材料TEFPLAS[®] G和符合FDA标准材料TEFPLAS[®] E
- 标准铝合金座孔
- 可提供自调心版本
- 免维护、低噪音
- 使用温度±200°C
- Closed design with short housing
- High precision similar to preloaded ball bearing
- Standard liner material TEFPLAS[®] B
Available materials: TEFPLAS[®] G and E
- Standard aluminum housing
- Available self-aligning version
- Maintenance-free and low noise
- Operation temperature ±200°C

标准规格 Standard specifications



产品编码 Part No.:

LINPB-11GN-16-C-SA

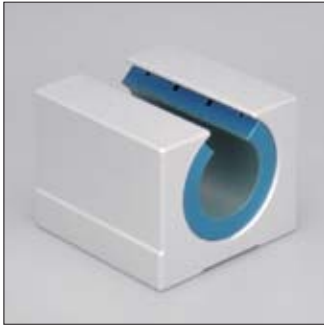
- 自调心版本 Self-aligning version
- 补偿间隙 Compensated Clearance
- 轴承内径 Inner diameter
- 窄设计直线轴承座 Pillow block, short design
- 长设计 Long design
- 滑动膜材料 Liner material: B/G/E

轴 Shaft: h6-h7

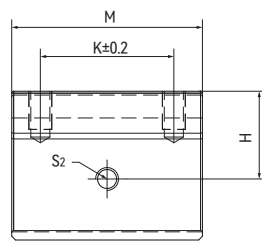
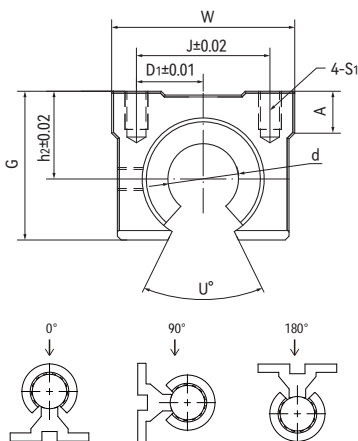
产品编码 Part No.	内装轴承 Bearing [mm]	轴径 Shaft [mm]	尺寸 Size [mm]										
			h	D	W	H	G	A	J	E	S ₁	S ₂	L
LINPB-11GN-12	LINPB-11R-12	12	15	22	44	30	24	8	33	5.5	M5*12	Φ4.3	20.3
LINPB-11GN-16	LINPB-11R-16	16	19	25	50	38.5	32.5	9	36	7	M5*12	Φ4.3	22.3
LINPB-11GN-20	LINPB-11R-20	20	21	27	54	41	35	11	40	7	M6*12	Φ5.2	28.3
LINPB-11GN-25	LINPB-11R-25	25	26	38	76	51.5	41	12	54	11	M8*12	Φ7	40.4
LINPB-11GN-30	LINPB-11R-30	30	30	39	78	59.5	49	15	58	10	M8*12	Φ7	48.4
LINPB-11GN-40	LINPB-11R-40	40	40	51	102	78	62	20	80	11	M10*25	Φ8.7	56.4
LINPB-11GN-50	LINPB-11R-50	50	52	61	122	102	80	24	100	11	M10*25	Φ8.7	72.3

产品编码 Part No.	内径 I.D [mm]	公差 Tolerance [mm]	F max. [N] 最大动载荷 Dynamic Load			F max. [N] 最大静载荷 Static Load			重量 Weight [g]
			B	G	E	B	G	E	
LINPB-11GN-12	12	+0.016/+0.043	3840	3072	2304	7680	6144	4608	43
LINPB-11GN-16	16	+0.016/+0.043	5760	4608	3456	11520	9216	6912	67
LINPB-11GN-20	20	+0.020/+0.053	9000	7200	5400	18000	14400	10800	90
LINPB-11GN-25	25	+0.020/+0.053	14500	11600	8700	29000	23200	17400	193
LINPB-11GN-30	30	+0.020/+0.053	20400	16320	12240	40800	32640	24480	260
LINPB-11GN-40	40	+0.020/+0.064	32000	25600	19200	64000	51200	38400	641
LINPB-11GN-50	50	+0.020/+0.064	50000	40000	30000	100000	80000	60000	852

*-SA 自调心版本安装轴承 Self-aligning version with LINPB-11RS

LINP-11GK 标准型开口直线轴承座 Open pillow blocks


- 开口型轴承座设计
- 高精度与滚珠轴承相同
- 标准滑动膜材料TEFPLAS® B
可选高耐磨材料TEFPLAS® G和符合FDA标准材料TEFPLAS® E
- 标准铝合金座孔
- 可提供自调心版本
- 免维护、低噪音
- 使用温度±200°C
- Open housing design
- High precision similar to preloaded ball bearing
- Standard liner material TEFPLAS® B
Available materials: TEFPLAS® G and E
- Standard aluminum housing
- Available self-aligning version
- Maintenance-free and low noise
- Operation temperature ±200°C

标准规格 Standard specifications


产品编码 Part No.:

LINPB-11GK-16-C-SA

- 自调心版本 Self-aligning version
- 补偿间隙 Compensated Clearance
- 轴承内径 Inner diameter
- 开口设计直线轴承座 Pillow block, open design
- 长设计 Long design
- 滑动膜材料 Liner material: B/G/E

轴 Shaft: h6-h7

产品编码 Part No.	内装轴承 Bearing [mm]	轴径 Shaft [mm]	尺寸 Size [mm]										
			W	G	A	M	h ₂	D	U°	J	K	S ₁	S ₂
LINPB-11GK-12	LINPB-11RK-12	12	40	27.6	8	39	17	14	80	28	26	M5*10	Φ4.5
LINPB-11GK-16	LINPB-11RK-16	16	45	33	9	45	20	22.5	80	32	30	M5*10	Φ5.5
LINPB-11GK-20	LINPB-11RK-20	20	48	39	11	50	23	24	60	35	35	M6*12	Φ5.5
LINPB-11GK-25	LINPB-11RK-25	25	60	47	14	65	27	30	50	40	40	M6*12	Φ6.6
LINPB-11GK-30	LINPB-11RK-30	30	70	56	15	70	33	35	50	50	50	M8*18	Φ6.6
LINPB-11GK-40	LINPB-11RK-40	40	90	72	20	90	42	45	50	65	65	M10*25	Φ9
LINPB-11GK-50	LINPB-11RK-50	50	120	92	25	110	53	60	50	94	80	M10*25	Φ11

产品编码 Part No.	内径 I.D [mm]	公差 Tolerance [mm]	F max. [N] 材料 Material: B 最大动载荷 Dynamic Load			F max. [N] 材料 Material: B 最大静载荷 Static Load			重量 Weight [g]
			0°	90°	180°	0°	90°	180°	
LINPB-11GK-12	12	+0.016/+0.043	3840	3190	960	7680	6381	1920	79
LINPB-11GK-16	16	+0.016/+0.043	5760	4864	1584	11520	9727	3168	125
LINPB-11GK-20	20	+0.020/+0.053	9000	8100	3600	18000	16200	7200	159
LINPB-11GK-25	25	+0.020/+0.053	14500	13154	6090	29000	26309	12180	343
LINPB-11GK-30	30	+0.020/+0.053	20400	18700	9112	40800	37400	18224	450
LINPB-11GK-40	40	+0.020/+0.064	32000	29600	15200	64000	59200	30400	1021
LINPB-11GK-50	50	+0.020/+0.064	50000	46650	25000	100000	93300	50000	1871

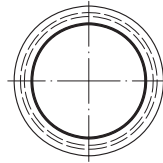
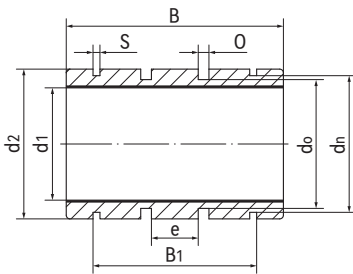
*-SA 自调心版本安装轴承 Self-aligning version with LINPB-11RSK

LINPB-11R-IN 封闭式精密直线轴承 Precision linear bearings, closed



- 封闭式长设计
 - 高精度与滚珠轴承相同
 - 标准滑动膜材料TEFPLAS[®] B
 - 阳极氧化铝合金适配器
 - 免维护、低噪音
 - 使用温度±200°C
- Closed and long design
 - High precision similar to preloaded ball bearing
 - Standard liner material TEFPLAS[®] B
 - Anodized aluminum adapter
 - Maintenance-free and low noise
 - Operation temperature ±200°C

标准规格 Standard specifications



产品编码 Part No.:

LINPB-11R-08-IN

- 英制 Inch size
- 内径 Inner diameter
- 封闭式保持器 Closed housing
- 长设计 Long design
- 滑动膜 Liner: TEFPLAS[®] B

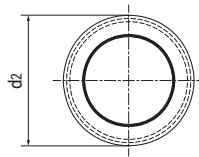
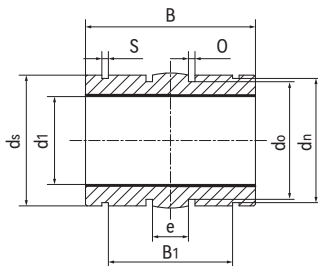
座孔 Housing: H7 轴 Shaft: h6-h7

产品编码 Part No.	d ₁ [Inch]		d ₂ [Inch]		B [Inch]		B ₁ [Inch]	d _n [Inch]	S [Inch]	O [Inch]	d ₀ [Inch]	e [Inch]
	Min.	Max.	Min.	Max.	Min.	Max.						
LINPB-11R-06-IN	0.3752	0.3761	0.6240	0.6250	0.8600	0.8750	0.562	0.587	0.041	0.080	0.524	0.187
LINPB-11R-08-IN	0.5002	0.5013	0.8740	0.8750	1.2350	1.2500	0.875	0.820	0.048	0.125	0.712	0.250
LINPB-11R-10-IN	0.6252	0.6263	1.1240	1.1250	1.4850	1.5000	1.000	1.060	0.058	0.125	0.962	0.312
LINPB-11R-12-IN	0.7503	0.7516	1.2490	1.2500	1.6100	1.6250	1.062	1.177	0.058	0.125	1.087	0.312
LINPB-11R-16-IN	1.0003	1.0016	1.5613	1.5625	2.2350	2.2500	1.625	1.471	0.070	0.125	1.399	0.500
LINPB-11R-20-IN	1.2504	1.2519	1.9988	2.0000	2.6100	2.6250	1.875	1.889	0.070	0.125	1.837	0.625
LINPB-11R-24-IN	1.5004	1.5019	2.3738	2.3750	2.9850	3.0000	2.250	2.241	0.089	0.162	2.152	0.750
LINPB-11R-32-IN	2.0004	2.0022	2.9986	3.0000	3.9850	4.0000	3.000	2.839	0.105	0.189	2.775	1.000
LINPB-11R-40-IN	2.5004	2.5022	3.7484	3.7500	4.9850	5.0000	3.750	3.553	0.123	0.250	3.408	1.250

产品编码 Part No.	轴径 Shaft [Inch]	座孔 Housing [Inch]	F max. [N]		重量 Weight [g]
			最大动载荷 Dynamic Load	最大静载荷 Static Load	
LINPB-11R-06-IN	3/8	0.6250	2082	4164	7.3
LINPB-11R-08-IN	1/2	0.8750	3985	7971	18.6
LINPB-11R-10-IN	5/8	1.1250	5990	11980	41.3
LINPB-11R-12-IN	3/4	1.2500	7793	15587	49.4
LINPB-11R-16-IN	1	1.5625	14424	28847	103.4
LINPB-11R-20-IN	1-1/4	2.0000	21055	42110	208.2
LINPB-11R-24-IN	1-1/2	2.3750	28895	57789	328.9
LINPB-11R-32-IN	2	3.0000	51430	102859	654.1
LINPB-11R-40-IN	2-1/2	3.7500	80416	160832	1277.3

LINPB-11RS-IN 封闭式精密直线轴承 Precision linear bearings, closed


- 封闭式自动调心设计
- 高精度与滚珠轴承相同
- 标准滑动膜材料TEFPLAS® B
- 阳极氧化铝合金适配器
- 免维护、低噪音
- 使用温度±200°C
- Closed and self-aligning design
- High precision similar to preloaded ball bearing
- Standard liner material TEFPLAS® B
- Anodized aluminum adapter
- Maintenance-free and low noise
- Operation temperature ±200°C

标准规格 Standard specifications


产品编码 Part No.:

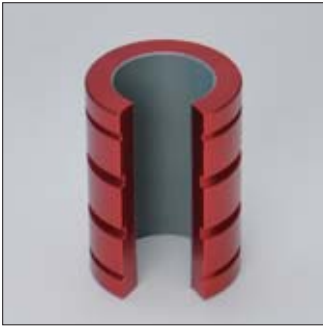
LINPB-11RS-08-IN

- 英制 Inch size
- 内径 Inner diameter
- 自调整保持器
Automatic alignment aluminum adapter
- 长设计 Long design
- 滑动膜 Liner: TEFPLAS® B
- 座孔 Housing: H7 轴 Shaft: h6-h7

产品编码 Part No.	d ₁ [Inch]		d ₂ [Inch]		B [Inch]		d _s [Inch]	B ₁ [Inch]	d _n [Inch]	S [Inch]	O [Inch]	d _o [Inch]	e [Inch]
	Min.	Max.	Min.	Max.	Min.	Max.							
LINPB-11RS-04-IN	0.2502	0.2511	0.4975	0.4985	0.7350	0.7500	0.4867	0.4370	0.4670	0.4100	0.0800	0.3990	0.1250
LINPB-11RS-06-IN	0.3752	0.3761	0.6225	0.6235	0.8600	0.8750	0.6117	0.5620	0.5870	0.0410	0.0800	0.5240	0.1870
LINPB-11RS-08-IN	0.5002	0.5013	0.8725	0.8735	1.2350	1.2500	0.8617	0.8750	0.8200	0.0480	0.1250	0.7120	0.2500
LINPB-11RS-10-IN	0.6252	0.6263	1.1225	1.1235	1.4850	1.5000	1.1117	1.0000	1.0600	0.0580	0.1250	0.9620	0.3120
LINPB-11RS-12-IN	0.7503	0.7516	1.2475	1.2485	1.6100	1.6250	1.2367	1.0620	1.1770	0.0580	0.1250	1.0870	0.3120
LINPB-11RS-16-IN	1.0003	1.0016	1.5599	1.5609	2.2350	2.2500	1.5491	1.6250	1.4710	0.0700	0.1250	1.3990	0.5000
LINPB-11RS-20-IN	1.2504	1.2519	1.9974	1.9984	2.6100	2.6250	1.9708	1.8750	1.8890	0.0700	0.1250	1.8370	0.6250
LINPB-11RS-24-IN	1.5004	1.5019	2.3724	2.3734	2.9850	3.0000	2.3458	2.2500	2.2410	0.0890	0.1620	2.1520	0.7500
LINPB-11RS-32-IN	2.0004	2.5022	2.9973	2.9983	3.9850	4.0000	2.9707	3.0000	2.8390	0.1050	0.1890	2.7750	1.0000
LINPB-11RS-40-IN	2.5004	3.0004	3.7472	3.7482	4.9850	5.0000	3.7206	3.7500	3.5530	0.1230	0.2500	3.4080	1.2500

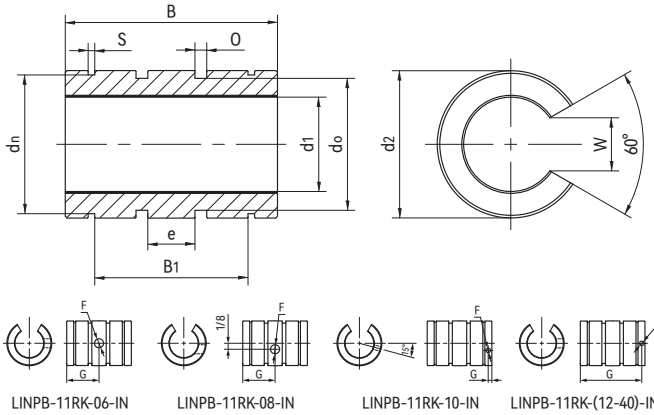
产品编码 Part No.	轴径 Shaft [Inch]	座孔 Housing [Inch]	F max. [N] 最大动载荷 Dynamic Load	F max. [N] 最大静载荷 Static Load	重量 Weight [g]
LINPB-11RS-04-IN	1/4	0.5000	1210	2420	4.3
LINPB-11RS-06-IN	3/8	0.6250	2082	4164	7.3
LINPB-11RS-08-IN	1/2	0.8750	3985	7971	18.6
LINPB-11RS-10-IN	5/8	1.1250	5990	11980	41.3
LINPB-11RS-12-IN	3/4	1.2500	7793	15587	49.4
LINPB-11RS-16-IN	1	1.5625	14424	28847	103.4
LINPB-11RS-20-IN	1-1/4	2.0000	21055	42110	208.2
LINPB-11RS-24-IN	1-1/2	2.3750	28895	57789	328.9
LINPB-11RS-32-IN	2	3.0000	51430	102859	654.1
LINPB-11RS-40-IN	2-1/2	3.7500	80416	160832	1277.3

LINPB-11RK-IN 开口式精密直线轴承 Precision linear bearings, open



- 开口设计，配合支撑轴
 - 高精度与滚珠轴承相同
 - 标准滑动膜材料TEFPLAS[®] B
 - 阳极氧化铝合金适配器
 - 免维护、低噪音
 - 使用温度±200°C
- Open design for supported shafts
 - High precision similar to preloaded ball bearing
 - Standard liner material TEFPLAS[®] B
 - Anodized aluminum adapter
 - Maintenance-free and low noise
 - Operation temperature ±200°C

标准规格 Standard specifications



产品编码 Part No.:

LINPB-11RK-08-IN

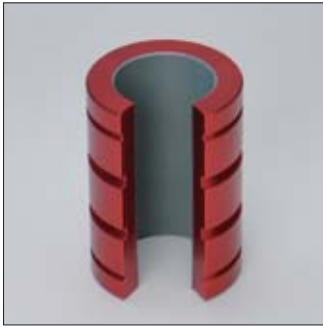
- 英制 Inch size
- 内径 Inner diameter
- 开口式保持器 Open, aluminum adapter
- 长设计 Long design
- 滑动膜 Liner: TEFPLAS[®] B

座孔 Housing: H7
轴 Shaft: h6-h7

产品编码 Part No.	d ₁ [Inch]		d ₂ [Inch]		B [Inch]		B ₁ [Inch]	d _n [Inch]	S [Inch]	O [Inch]	d _o [Inch]	e [Inch]	W [Inch]	G [Inch]	F [Inch]
	Min.	Max.	Min.	Max.	Min.	Max.									
LINPB-11RK-06-IN	0.3752	0.3761	0.6225	0.6235	0.8600	0.8750	0.5620	0.5870	0.0410	0.0800	0.5240	0.1870	0.250	0.4375	0.094
LINPB-11RK-08-IN	0.5002	0.5013	0.8725	0.8735	1.2350	1.2500	0.8750	0.8200	0.0480	0.1250	0.7120	0.2500	0.313	0.6250	0.136
LINPB-11RK-10-IN	0.6252	0.6263	1.1225	1.1235	1.4850	1.5000	1.0000	1.0600	0.0580	0.1250	0.9620	0.3120	0.375	0.1250	0.136
LINPB-11RK-12-IN	0.7503	0.7516	1.2475	1.2485	1.6100	1.6250	1.0620	1.1770	0.0580	0.1250	1.0870	0.3120	0.438	0.1250	0.136
LINPB-11RK-16-IN	1.0003	1.0016	1.5599	1.5609	2.2350	2.2500	1.6250	1.4710	0.0700	0.1250	1.3990	0.5000	0.563	0.1250	0.136
LINPB-11RK-20-IN	1.2504	1.2519	1.9974	1.9984	2.6100	2.6250	1.8750	1.8890	0.0700	0.1250	1.8370	0.6250	0.625	0.1880	0.201
LINPB-11RK-24-IN	1.5004	1.5019	2.3724	2.3734	2.9850	3.0000	2.2500	2.2410	0.0890	0.1620	2.1520	0.7500	0.750	0.1880	0.201
LINPB-11RK-32-IN	2.0004	2.5022	2.9973	2.9983	3.9850	4.0000	3.0000	2.8390	0.1050	0.1890	2.7750	1.0000	1.000	0.3130	0.265
LINPB-11RK-40-IN	2.5004	3.0004	3.7472	3.7482	4.9850	5.0000	3.7500	3.5530	0.1230	0.2500	3.4080	1.2500	1.250	0.3130	0.265

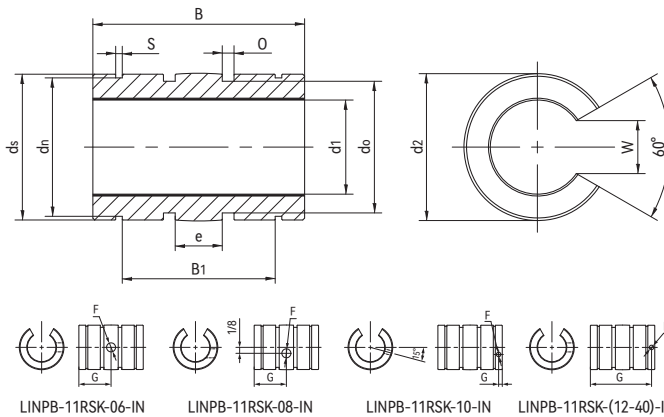
产品编码 Part No.	轴径 Shaft [Inch]	座孔 Housing [Inch]	F max. [N] 最大动载荷 Dynamic Load			F max. [N] 最大静载荷 Static Load			重量 Weight [g]
			0°	90°	180°	0°	90°	180°	
			LINPB-11RK-06-IN	3/8	0.6250	1044	1944	2082	
LINPB-11RK-08-IN	1/2	0.8750	1995	3724	3985	3990	7447	7971	15.4
LINPB-11RK-10-IN	5/8	1.1250	2995	5594	5990	5990	11187	11980	32.7
LINPB-11RK-12-IN	3/4	1.2500	3901	7275	7793	7803	14550	15587	41.3
LINPB-11RK-16-IN	1	1.5625	7221	13466	14424	14442	26931	28847	83.5
LINPB-11RK-20-IN	1-1/4	2.0000	10541	19663	21055	21081	39326	42110	172.8
LINPB-11RK-24-IN	1-1/2	2.3750	14451	26976	28895	28902	53953	57789	273.5
LINPB-11RK-32-IN	2	3.0000	25730	48008	51430	51460	96016	102859	540.7
LINPB-11RK-40-IN	2-1/2	3.7500	38315	71514	80416	76630	143029	160832	1058.7

LINPB-11RSK-IN 开口式调心直线轴承 Floating linear bearings, open



- 开口式自动调心设计
- 高精度与滚珠轴承相同
- 标准滑动膜材料TEFPLAS® B
- 阳极氧化铝合金适配器
- 免维护、低噪音
- 使用温度±200°C
- Open and self-aligning design
- High precision similar to preloaded ball bearing
- Standard liner material TEFPLAS® B
- Anodized aluminum adapter
- Maintenance-free and low noise
- Operation temperature ±200°C

标准规格 Standard specifications



产品编码 Part No.:

LINPB-11RSK-08-IN

英制 Inch size

内径 Inner diameter

开口式自调整保持器
Open, automatic alignment aluminum adapter

长设计 Long design

滑动膜 Liner: TEFPLAS® B

座孔 Housing: H7
轴 Shaft: h6-h7

产品编码 Part No.	d ₁ [Inch]		d ₂ [Inch]		B [Inch]		d _s [Inch]	B ₁ [Inch]	d _n [Inch]	S [Inch]	O [Inch]	d _o [Inch]	e [Inch]	W [Inch]	G [Inch]	F [Inch]
	Min.	Max.	Min.	Max.	Min.	Max.										
LINPB-11RSK-06-IN	0.3752	0.3761	0.6225	0.6235	0.8600	0.8750	0.6117	0.5620	0.5870	0.0410	0.0800	0.5240	0.1870	0.250	0.4375	0.094
LINPB-11RSK-08-IN	0.5002	0.5013	0.8725	0.8735	1.2350	1.2500	0.8617	0.8750	0.8200	0.0480	0.1250	0.7120	0.2500	0.313	0.6250	0.136
LINPB-11RSK-10-IN	0.6252	0.6263	1.1225	1.1235	1.4850	1.5000	1.1117	1.0000	1.0600	0.0580	0.1250	0.9620	0.3120	0.375	0.1250	0.136
LINPB-11RSK-12-IN	0.7503	0.7516	1.2475	1.2485	1.6100	1.6250	1.2367	1.0620	1.1770	0.0580	0.1250	1.0870	0.3120	0.438	0.1250	0.136
LINPB-11RSK-16-IN	1.0003	1.0016	1.5599	1.5609	2.2350	2.2500	1.5491	1.6250	1.4710	0.0700	0.1250	1.3990	0.5000	0.563	0.1250	0.136
LINPB-11RSK-20-IN	1.2504	1.2519	1.9974	1.9984	2.6100	2.6250	1.9708	1.8750	1.8890	0.0700	0.1250	1.8370	0.6250	0.625	0.1875	0.201
LINPB-11RSK-24-IN	1.5004	1.5019	2.3724	2.3734	2.9850	3.0000	2.3458	2.2500	2.2410	0.0890	0.1620	2.1520	0.7500	0.750	0.1875	0.201
LINPB-11RSK-32-IN	2.0004	2.5022	2.9973	2.9983	3.9850	4.0000	2.9707	3.0000	2.8390	0.1050	0.1890	2.7750	1.0000	1.000	0.3130	0.265
LINPB-11RSK-40-IN	2.5004	3.0004	3.7472	3.7482	4.9850	5.0000	3.7206	3.7500	3.5530	0.1230	0.2500	3.4080	1.2500	1.250	0.3130	0.265

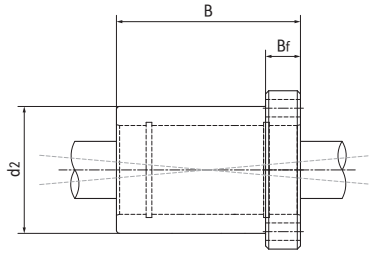
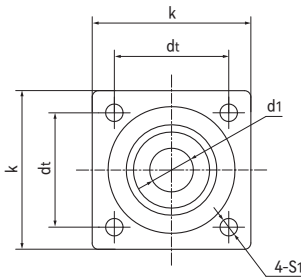
产品编码 Part No.	轴径 Shaft [Inch]	座孔 Housing [Inch]	F max. [N] 最大动载荷 Dynamic Load			F max. [N] 最大静载荷 Static Load			重量 Weight [g]
			0°	90°	180°	0°	90°	180°	
			LINPB-11RSK-06-IN	3/8	0.6250	1044	1944	2082	
LINPB-11RSK-08-IN	1/2	0.8750	1995	3724	3985	3990	7447	7971	15.4
LINPB-11RSK-10-IN	5/8	1.1250	2995	5594	5990	5990	11187	11980	32.7
LINPB-11RSK-12-IN	3/4	1.2500	3901	7275	7793	7803	14550	15587	41.3
LINPB-11RSK-16-IN	1	1.5625	7221	13466	14424	14442	26931	28847	83.5
LINPB-11RSK-20-IN	1-1/4	2.0000	10541	19663	21055	21081	39326	42110	172.8
LINPB-11RSK-24-IN	1-1/2	2.3750	14451	26976	28895	28902	53953	57789	273.5
LINPB-11RSK-32-IN	2	3.0000	25730	48008	51430	51460	96016	102859	540.7
LINPB-11RSK-40-IN	2-1/2	3.7500	38315	71514	80416	76630	143029	160832	1058.7

LINPB-11RT-IN 方法兰直线轴承 Angular flange linear bearings



- 封闭式方法兰设计
- 高精度与滚珠轴承相同
- 标准滑动膜材料TEFPLAS® B
- 标准铝合金座孔
- 可提供自调心版本
- 免维护、低噪音
- 使用温度±200°C
- Closed design with square flange
- High precision similar to preloaded ball bearing
- Standard liner material TEFPLAS® B
- Standard aluminum housing
- Available self-aligning version
- Maintenance-free and low noise
- Operation temperature ±200°C

标准规格 Standard specifications



产品编码 Part No.:

LINPB-11RT-10-IN-SA

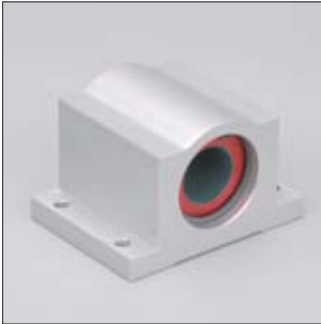
- 自调心版本 Self-aligning version
- 英制 Inch size
- 内径 Inner diameter
- 方法兰保持器 Angular flange aluminum adapter
- 长设计 Long design
- 滑动膜 Liner: TEFPLAS® B

座孔 Housing: H7 轴 Shaft: h6-h7

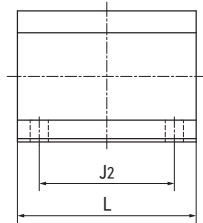
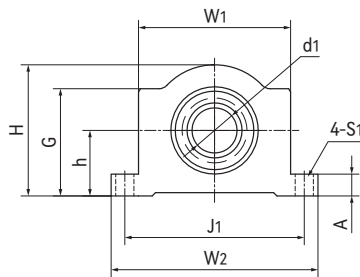
产品编码 Part No.	d ₁ [Inch]		d ₂ [Inch]	B [Inch]	B _f [Inch]	d _t [Inch]	k [Inch]	S ₁ [Inch]
	Min.	Max.						
LINPB-11RT-06-IN	0.3752	0.3761	0.875	1.310	0.188	1.000	1.250	0.125
LINPB-11RT-08-IN	0.5002	0.5013	1.250	1.687	0.250	1.250	1.630	0.187
LINPB-11RT-12-IN	0.7503	0.7516	1.750	2.067	0.375	1.750	2.380	0.219
LINPB-11RT-16-IN	1.0003	1.0016	2.250	2.812	0.500	2.125	2.750	0.281
LINPB-11RT-20-IN	1.2504	1.2519	2.620	3.625	0.625	3.000	3.880	0.3625

产品编码 Part No.	内装轴承 Bearing	轴径 Shaft [Inch]	座孔 Housing [Inch]	F max. [N] 最大动载荷 Dynamic Load	F max. [N] 最大静载荷 Static Load	重量 Weight [g]
LINPB-11RT-06-IN	LINPB-11R-06-IN	3/8	0.3750	2082	4164	31.8
LINPB-11RT-08-IN	LINPB-11R-08-IN	1/2	0.5000	3985	7971	79.4
LINPB-11RT-12-IN	LINPB-11R-12-IN	3/4	0.6250	7793	15587	210.0
LINPB-11RT-16-IN	LINPB-11R-16-IN	1	0.8750	14424	28847	547.0
LINPB-11RT-20-IN	LINPB-11R-20-IN	1-1/4	1.1250	21055	42110	830.1

*-SA 自调心版本安装轴承 Self-aligning version with LINPB-11RS-IN

LINPB-11G-IN 直线轴承座 Pillow blocks


- 封闭式带轴承座设计
 - 高精度与滚珠轴承相同
 - 标准滑动膜材料TEFPLAS® B
 - 标准铝合金座孔
 - 可提供自调心版本
 - 免维护、低噪音
 - 使用温度±200°C
- Closed design with housing
 - High precision similar to preloaded ball bearing
 - Standard liner material TEFPLAS® B
 - Standard aluminum housing
 - Available self-aligning version
 - Maintenance-free and low noise
 - Operation temperature ±200°C

标准规格 Standard specifications


产品编码 Part No.:

LINPB-11G-10-IN-SA

- 自调心版本 Self-aligning version
- 英制 Inch size
- 内径 Inner diameter
- 标准设计直线轴承座 Pillow block, standard design
- 长设计 Long design
- 滑动膜 Liner: TEFPLAS® B

轴 Shaft: h6-h7

产品编码 Part No.	d ₁ [Inch]		h [Inch]	W ₁ [Inch]	W ₂ [Inch]	J ₁ [Inch]	J ₂ [Inch]	L [Inch]	H [Inch]	G [Inch]	S ₁ [Inch]
	Min.	Max.									
LINPB-11G-04-IN	0.2502	0.2511	0.4370	1.0000	1.6250	1.312	0.750	1.19	1.000	0.750	5/32
LINPB-11G-06-IN	0.3752	0.3761	0.5000	1.1250	1.7500	1.437	0.875	1.31	1.125	0.875	5/32
LINPB-11G-08-IN	0.5002	0.5013	0.6870	1.3750	2.0000	1.688	1.000	1.69	1.375	1.125	5/32
LINPB-11G-10-IN	0.6252	0.6263	0.8750	1.7500	2.7500	2.125	1.125	1.94	1.750	1.438	3/16
LINPB-11G-12-IN	0.7503	0.7516	0.9370	1.8750	3.2500	2.375	1.250	2.06	1.875	1.563	3/16
LINPB-11G-16-IN	1.0003	1.0016	1.1870	2.3750	4.0000	2.875	1.750	2.81	2.375	1.938	7/32
LINPB-11G-20-IN	1.2504	1.2519	1.5000	3.0000	4.7500	3.500	2.500	3.63	3.000	2.500	7/32
LINPB-11G-24-IN	1.5004	1.5019	1.7500	3.5000	6.0000	4.125	3.250	4.00	3.500	2.875	9/32

产品编码 Part No.	内装轴承 Bearing	轴径 Shaft [Inch]	F max. [N] 最大动载荷 Dynamic Load	F max. [N] 最大静载荷 Static Load	重量 Weight [g]
LINPB-11G-04-IN	LINPB-11R-04-IN	1/4	1186	2373	44.9
LINPB-11G-06-IN	LINPB-11R-06-IN	3/8	2082	4164	58.5
LINPB-11G-08-IN	LINPB-11R-08-IN	1/2	3985	7971	113.4
LINPB-11G-10-IN	LINPB-11R-10-IN	5/8	5990	11980	226.8
LINPB-11G-12-IN	LINPB-11R-12-IN	3/4	7793	15587	263.1
LINPB-11G-16-IN	LINPB-11R-16-IN	1	14424	28847	453.6
LINPB-11G-20-IN	LINPB-11R-20-IN	1-1/4	21055	42110	907.2
LINPB-11G-24-IN	LINPB-11R-24-IN	1-1/2	28895	57789	1360.8

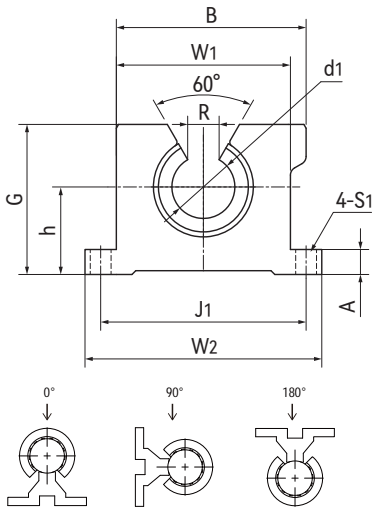
*-SA 自调心版本安装轴承 Self-aligning version with LINPB-11RS-IN

LINPB-11GK-IN 开口直线轴承座 Open pillow blocks



- 开口型轴承座设计
 - 高精度与滚珠轴承相同
 - 标准滑动膜材料TEFPLAS® B
 - 标准铝合金座孔
 - 可提供自调心版本
 - 免维护、低噪音
 - 使用温度±200°C
- Open housing design
 - High precision similar to preloaded ball bearing
 - Standard liner material TEFPLAS® B
 - Standard aluminum housing
 - Available self-aligning version
 - Maintenance-free and low noise
 - Operation temperature ±200°C

标准规格 Standard specifications



产品编码 Part No.:

LINPB-11GK-10-IN-SA

- 自调心版本 Self-aligning version
- 英制 Inch size
- 内径 Inner diameter
- 开口设计直线轴承座 Pillow block, open design
- 长设计 Long design
- 滑动膜 Liner: TEFPLAS® B

轴 Shaft: h6-h7

产品编码 Part No.	d ₁ [Inch]		h [Inch]	W ₁ [Inch]	W ₂ [Inch]	J ₁ [Inch]	J ₂ [Inch]	L [Inch]	G [Inch]	B [Inch]	R [Inch]	S ₁ [Inch]
	Min.	Max.										
LINPB-11GK-08-IN	0.5002	0.5013	0.687	1.375	2.000	1.688	1.000	1.500	1.125	1.438	0.313	5/32
LINPB-11GK-10-IN	0.6252	0.6263	0.875	1.750	2.500	2.125	1.125	1.750	1.438	1.750	0.375	3/16
LINPB-11GK-12-IN	0.7503	0.7516	0.937	1.875	2.500	2.375	1.250	1.880	1.563	1.938	0.438	3/16
LINPB-11GK-16-IN	1.0003	1.0016	1.187	2.385	3.250	2.875	1.750	2.630	1.938	2.438	0.563	7/32
LINPB-11GK-20-IN	1.2504	1.2519	1.500	3.000	4.000	3.5	2.000	3.380	2.500	3.125	0.625	7/32
LINPB-11GK-24-IN	1.5004	1.5019	1.750	3.500	4.750	4.125	2.500	3.750	2.875	3.625	0.750	9/32

产品编码 Part No.	内装轴承 Bearing	轴径 Shaft [Inch]	F max. [N] 最大动载荷 Dynamic Load			F max. [N] 最大静载荷 Static Load			重量 Weight [g]
			0°	90°	180°	0°	90°	180°	
LINPB-11GK-08-IN	LINPB-11RK-08-IN	1/2	1995	3724	3985	3990	7447	7971	113.4
LINPB-11GK-10-IN	LINPB-11RK-10-IN	5/8	2995	5594	5990	5990	11187	11980	226.8
LINPB-11GK-12-IN	LINPB-11RK-12-IN	3/4	3901	7275	7793	7803	14550	15587	263.1
LINPB-11GK-16-IN	LINPB-11RK-16-IN	1	7221	13466	14424	14442	26931	28847	453.6
LINPB-11GK-20-IN	LINPB-11RK-20-IN	1-1/4	10541	19663	21055	21081	39326	42110	907.2
LINPB-11GK-24-IN	LINPB-11RK-24-IN	1-1/2	14451	26976	28895	28902	53953	57789	1360.8

*-SA 自调心版本安装轴承 Self-aligning version with LINPB-11RSK-IN